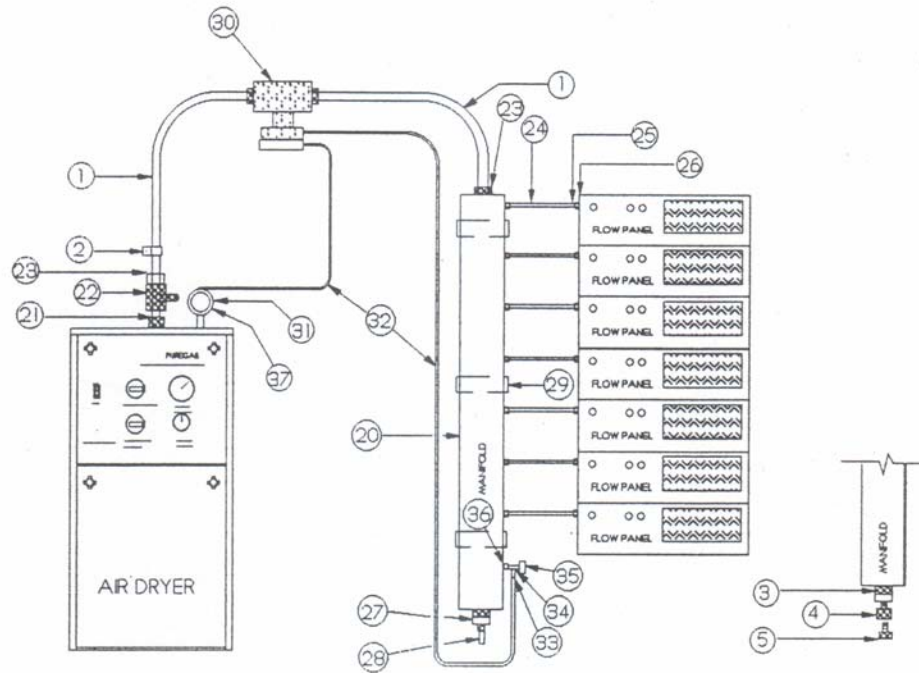


# canadian puregas equipment limited

CENTRAL OFFICE PIPE FEED INSTALLATION, MANIFOLD & PRESSURE-FLOW CONTROLLER

COPYRIGHT 1997, CANADIAN PUREGAS EQUIPMENT LIMITED, RENATA CORPORATION



## MANIFOLD COMPONENTS

- ②① P-05095-( ) MANIFOLD
- ②① P112B0808 HEX NIPPLE
- ②② CPE-004 BALL VALVE
- ②③ P-09029 AIRPIPE CONNECTOR
- ②④ PEC-430C POLY TUBE
- ②⑤ PEC-420E CONNECTOR
- ②⑥ PEC-407B ADAPTER
- ②⑦ P209P82 BUSHING
- ②⑧ PEC501 TEST VALVE
- ②⑨ TB794 CLAMP

## PFC COMPONENTS

- ③① PFC-001 CONTROLLER
- ③① P-01548 REGULATOR ASS'Y
- ③② PEC-430A POLY TUBE, 50FT.
- ③③ PEC-420A CONNECTOR
- ③④ P127B02 TEE
- ③⑤ P3503 GAUGE, 0-15PSI
- ③⑥ P209P62 BUSHING
- ③⑦ P219P2ASSY ORIFICE

## OTHER PARTS

- ① PEC-701 AIRPIPE
- ② P-1034 CLAMP
- ③ P-209P84 BUSHING
- ④ P-20 COUPLER
- ⑤ C-21 MALE PLUG